

AFT-MINI

Miniature 6-Axis Force / Torque Sensor



Features

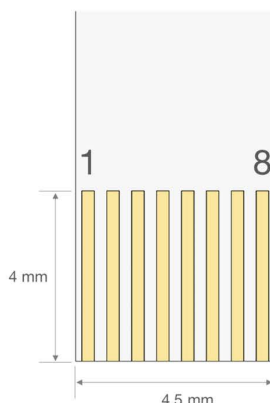
- Miniature 6-axis force/torque sensor
- All-in-one sensor (No additional amplifier)
- Digital output communications (CAN, etc)
- Easy installation and data collection
- Grippers, robot hands, medical, and VR/haptics



Specification table

Index	Unit	Value
Operating voltage	VDC	5
Max. safe excitation voltage	VDC	10
Force range	N	20
Torque range	Nm	0.1
Break force	N	25
Break torque	Nm	0.15
Force Resolution	N	0.1
Torque Resolution	Nm	0.00005
Sample rate	Hz	100
Dimensions	Mm	D15 x H10.5
Weight	G	3.2
Temperature		10-50 °C
Interfaces		CAN
Connector		FPC: 0.5 pitch, 8pin Length: 50, 100, 200 mm For User: CAN_H / CAN_L / VCC / GND

Pin out



- 1 – CAN_LOW
- 2 – CAN_HIGH
- 3 – NC
- 4 – NC
- 5 – NC
- 6 – NC
- 7 – GND
- 8 – VCC (5V)

Features

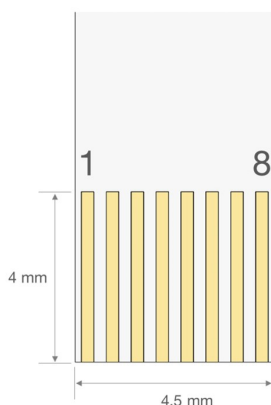
- Miniature 6-axis force/torque sensor
- All-in-one sensor (No additional amplifier)
- Digital output communications (CAN, etc)
- Easy installation and data collection
- Grippers, robot hands, medical, and VR/haptics



Specification table

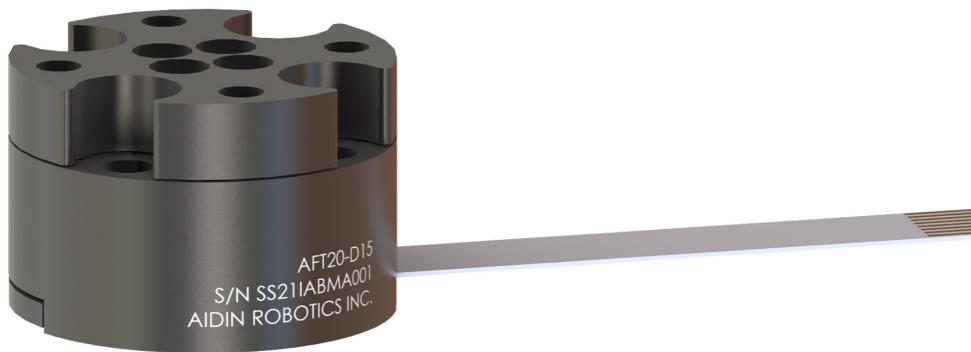
Index	Unit	Value
Operating voltage	VDC	5
Max. safe excitation voltage	VDC	10
Force range	N	50
Torque range	Nm	0.25
Break force	N	75
Break torque	Nm	0.35
Force resolution (F_{XYZ})	N	0.3
Torque resolution (T_{XYZ})	Nm	0.001
Sample rate	Hz	100
Dimensions	mm	D15 x H10.5
Weight	g	3.2
Temperature		10-50 °C
Interfaces		CAN
Connector		FPC: 0.5 pitch, 8pin Length: 50, 100, 200 mm For User: CAN_H / CAN_L / VCC / GND

Pin out

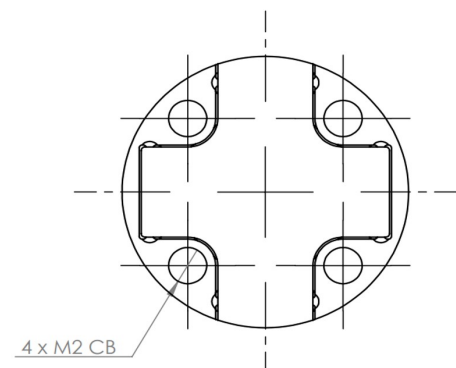
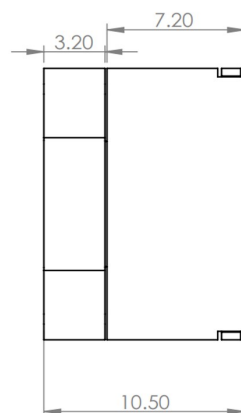
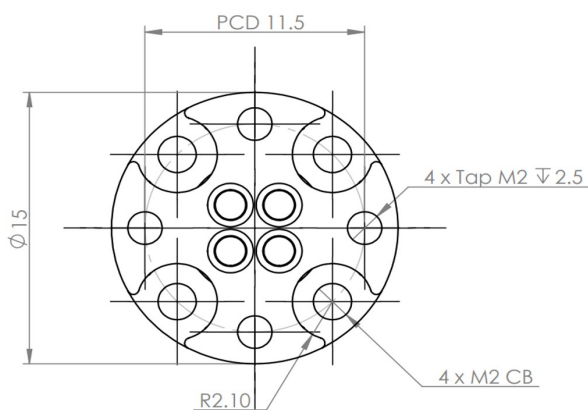
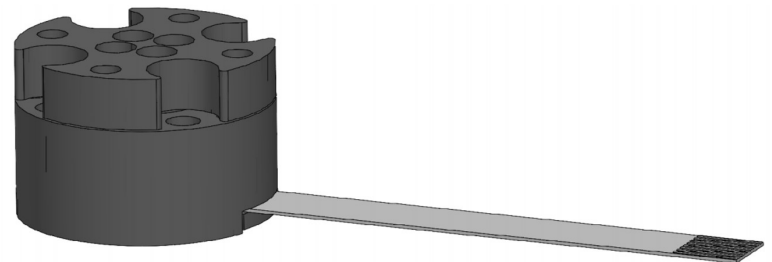


- 1 – CAN_LOW
- 2 – CAN_HIGH
- 3 – NC
- 4 – NC
- 5 – NC
- 6 – NC
- 7 – GND
- 8 – VCC (5V)

Bolting example



Drawing



AIDIN ROBOTICS

5F, 12-20, Simin-daero 327, Dongan-gu, Anyang-si, Gyeonggi-do, Korea

Sales@aidinrobotics.co.kr | TEL: +82-31-360-7926