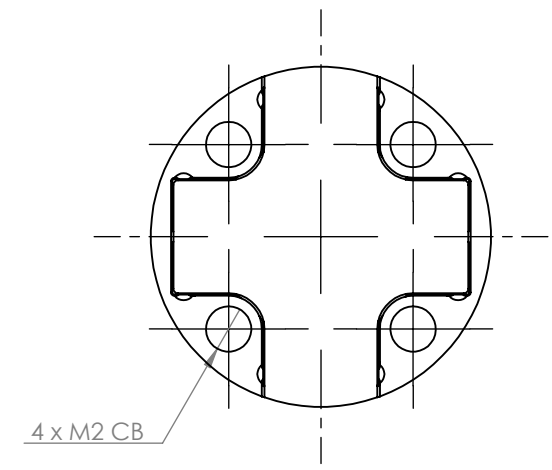
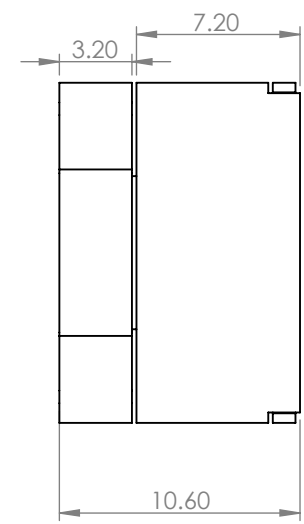
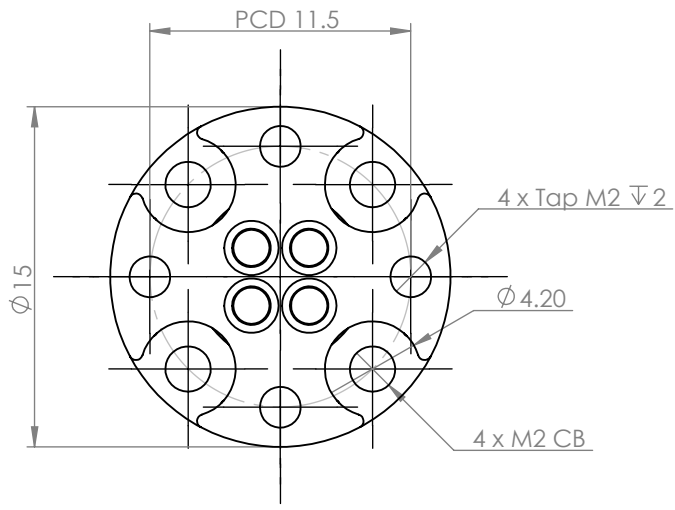
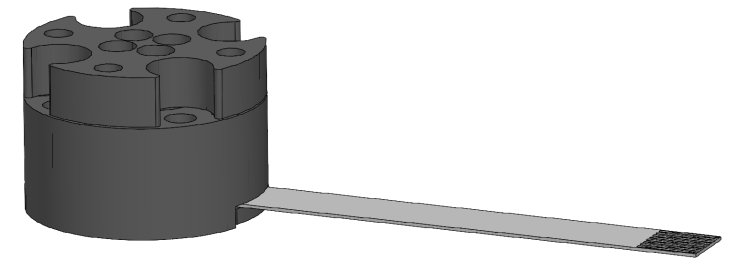


AIDIN ROBOTICS

Miniature 6-axis Force/Torque Sensor

AFT20/50-D15



- Notes:
1. Material: Aluminum.
 2. Sensing Reference Frame Origin at surface center of Tool Adapter.
 3. DO NOT EXCEED INTERFACE DEPTH, MAY CAUSE DAMAGE.
 4. The FPC(0.5pitch, 8pin) length options are 50, 100, 200mm.